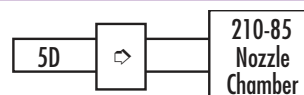
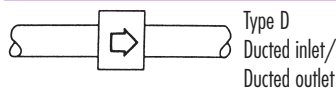
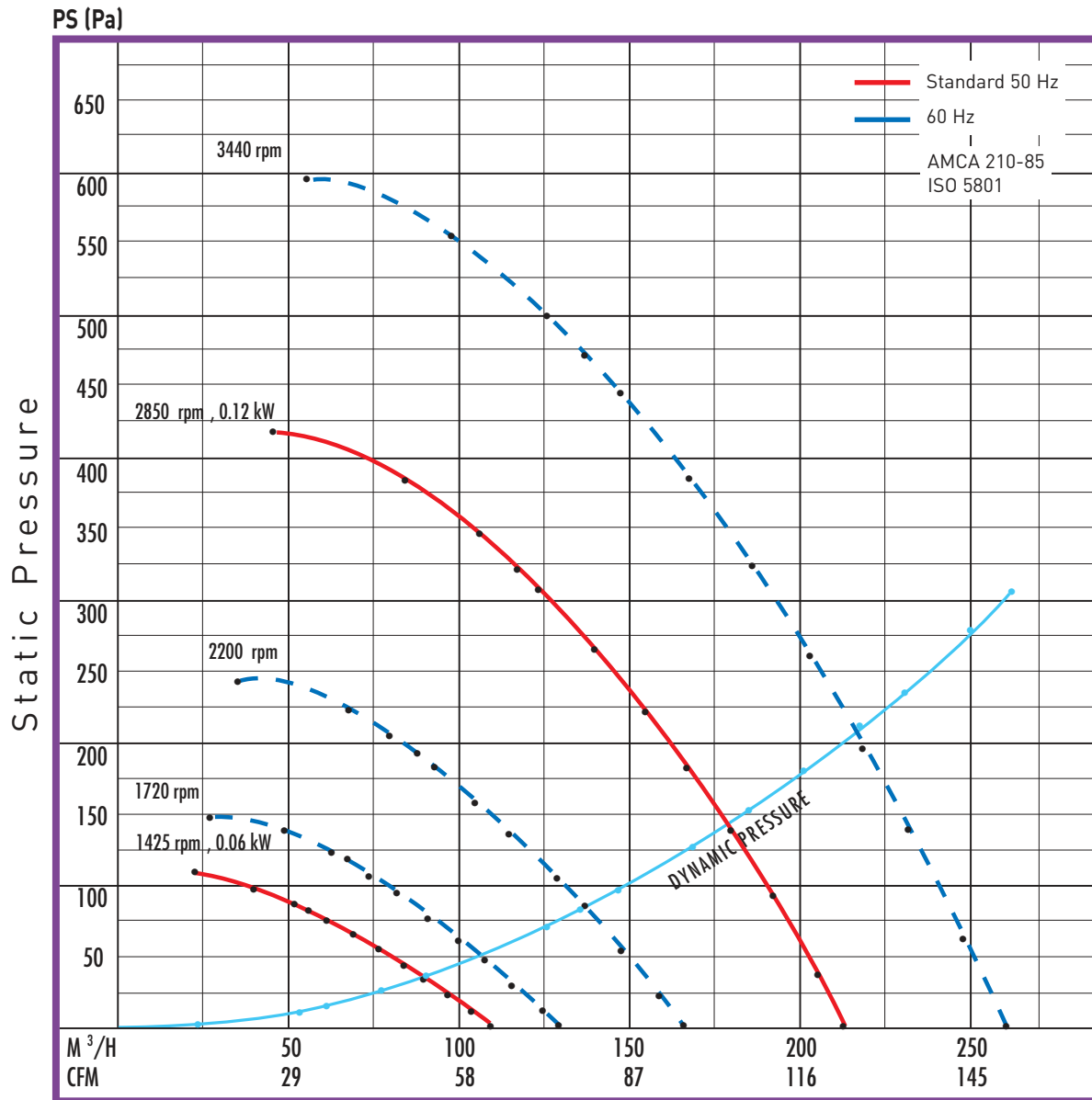


STORM 10



Housing and motor noise level when fan is running near maximum output

n (T/min) R.P.M.	Global dB	Global dB (A)
1435	62,9	51,6
1720	68,1	56,5
2870	81,1	69,6
3440	85,5	74,4

Noise level type B.
Visit our website for details.

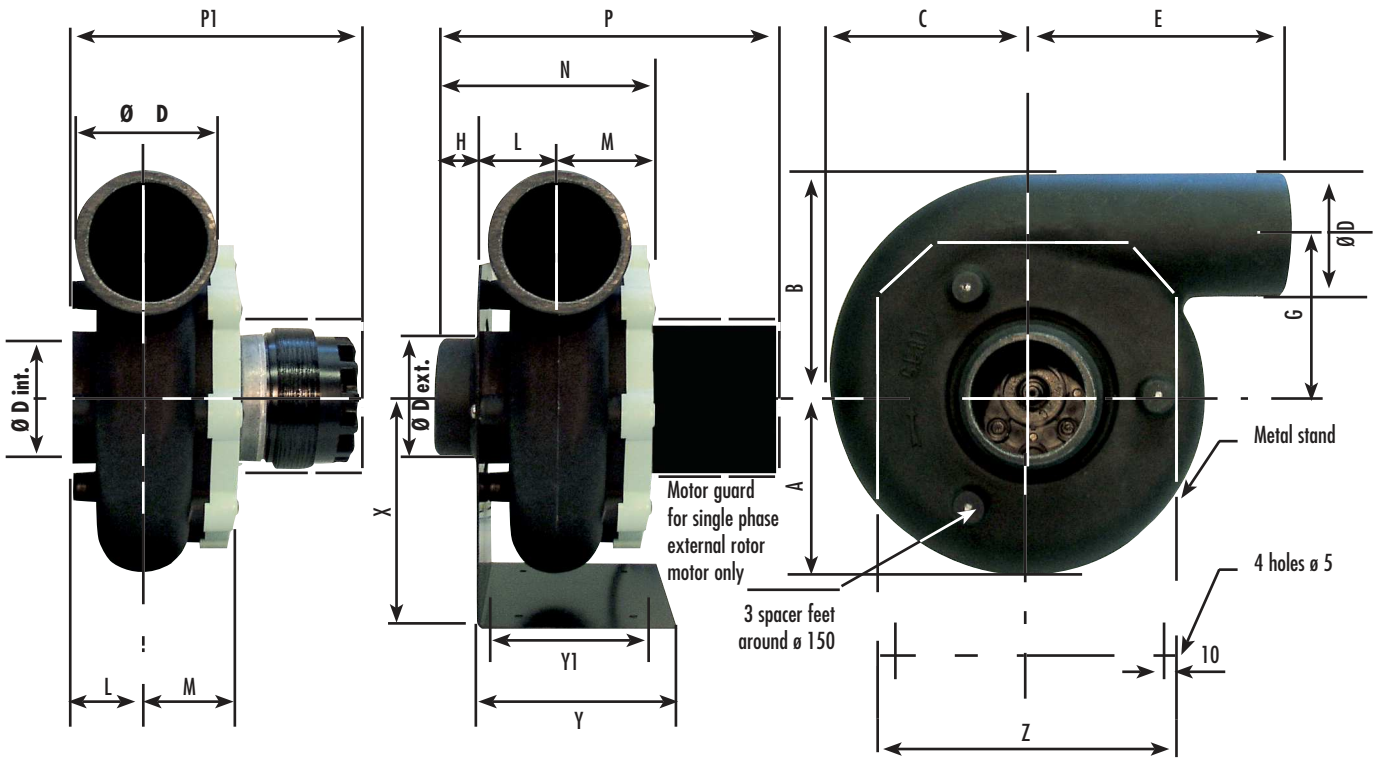
R.P.M.	dB(A)	dB
1435	52,3	61,6
1720	57,1	67,4
2870	69,7	80,8
3440	74,1	85,2

Noise level in octaves (dB)

Frequency Hz	1435 R.P.M.	1720 R.P.M.	2870 R.P.M.	3400 R.P.M.
250	49,8	54,5	66,9	73,2
500	45,2	49,6	64,8	69,3
1000	49,8	53,1	60,3	64,4

(ISO 13347)

STORM 10



LG POSITION ONLY

Available
in **ATEX** version

Dimensional data (mm). Metal stand does not come standard with fan (see accessories pricing).

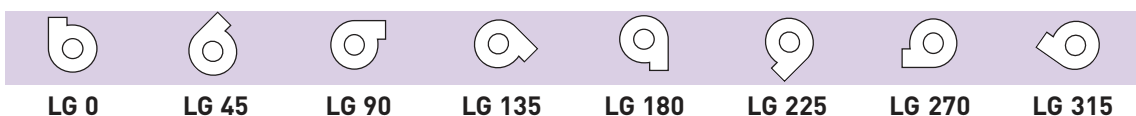
The motor frame size may vary upon type of motor used.

A	B	C	Ø D	E	G	H	L	M	N	Y	Y1	Z	X
115	135	127	75	158	97	32	48	57	137	120	100	165	135

Motor type

	P1	P
Single phase, rotor exterior, IP20 with cover	173	205
ATEX Three phase	262	295
Three phase, IP55	253	285

Handings with IP55 motor type are viewed from inlet side - 45 degree adjustable



LG 0 and LG 90 are handings with IP20 motor type.